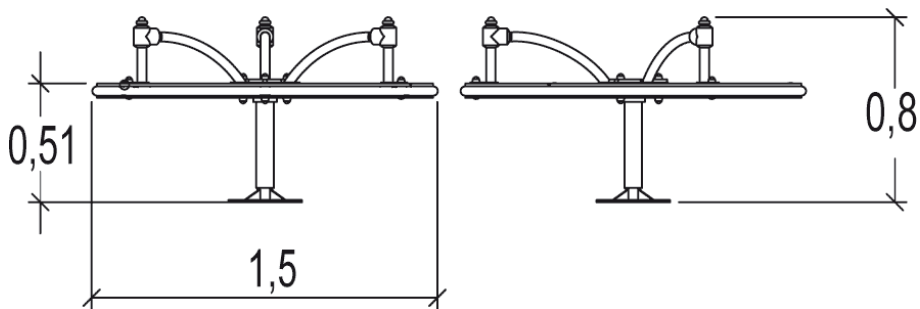
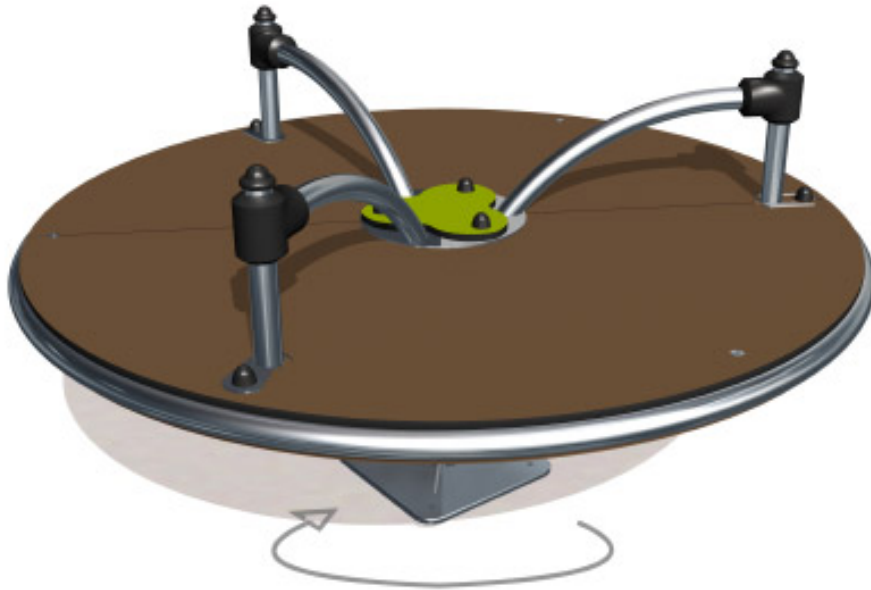


Roundabouts and Cableways

J2400

3+ | 8 | 1m | 1 = 1,5m 2 = 1,5m 3 = 0,78m



Play value

climbing | balancing | rotating

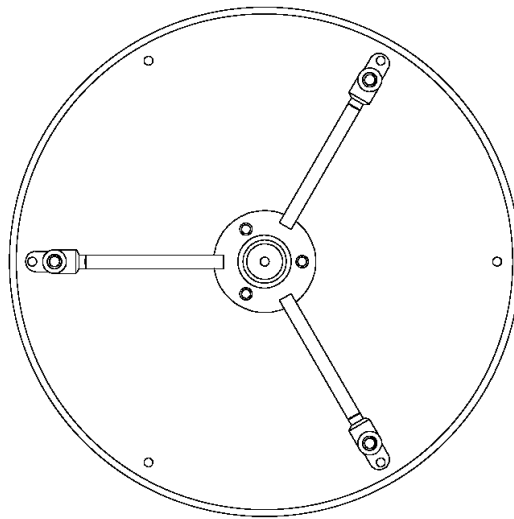
Three icons illustrating play values: a child climbing, a child balancing on a beam, and a child on a rotating platform.

Accessibility

Motor disability

Sensorial Disabilities



Learning Disabilites

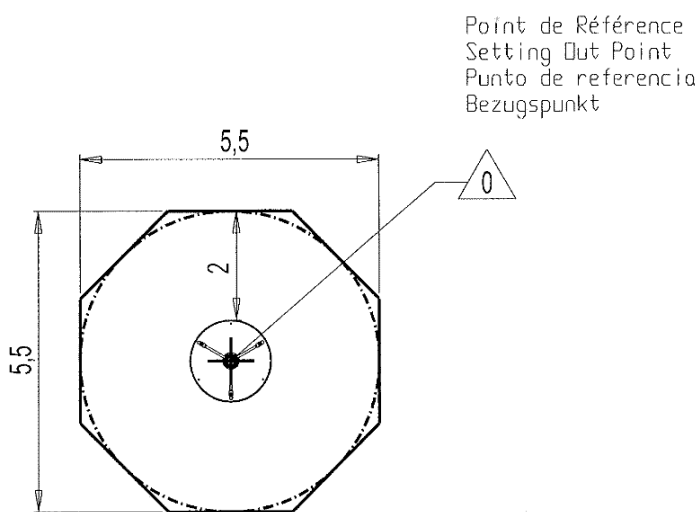








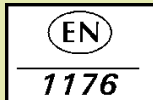

Installation of equipment

Impact area = minimum safety surfacing required according to EN 1176-1

-  Impact area
-  Free space

		
1	1m	25m ²



							
2	01h45	0.15m ³	25m ²	106kg	95kg		2002-06-11